

注記
NOTES

1. 各部の反りは0.5最大。
CAMBER : 0.5 MAX.
2. サークットNO.はNO."1"のみ表示。
CIRCUIT NO. : 1 ONLY.

適合ターミナル
APPLICABLE TERMINAL

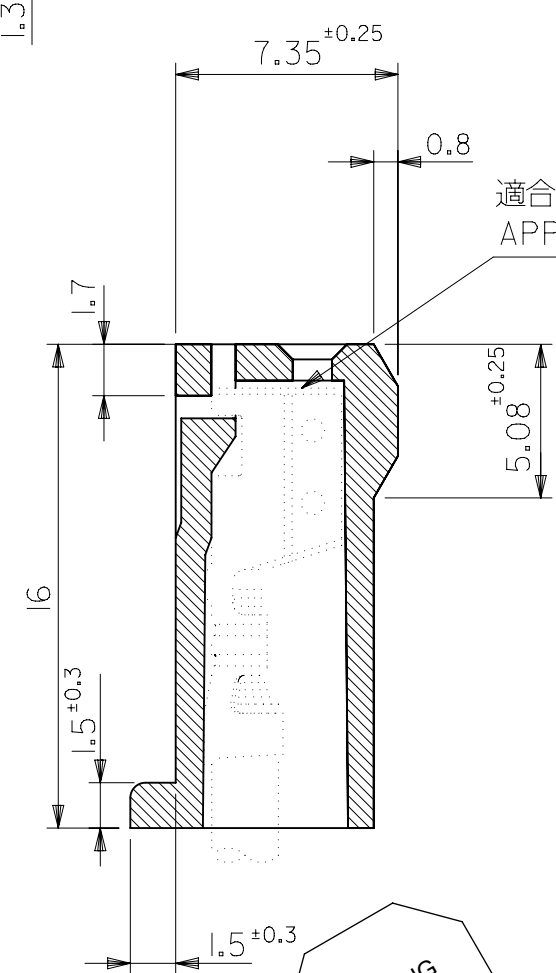
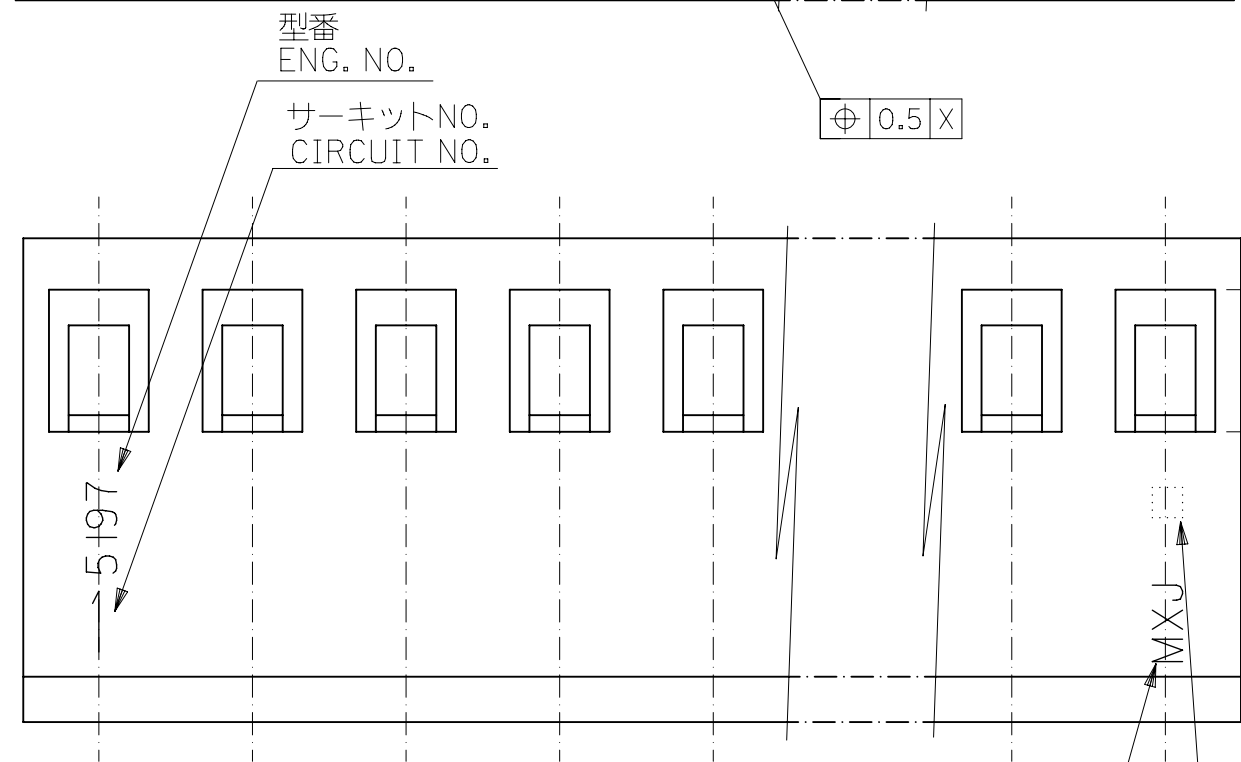
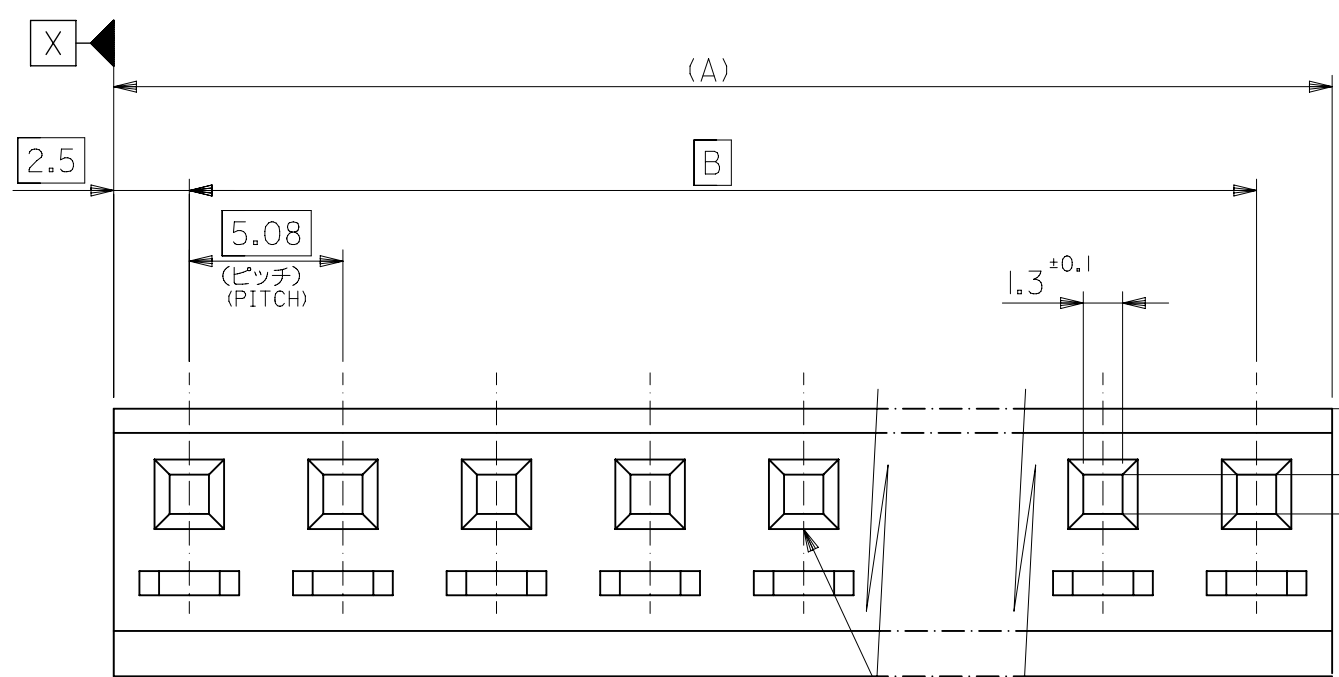
5194*
5225*

40.64	45.64	10-01-3096	5197-09	9
30.48	35.48	-3076	-07	7
25.4	30.4	-3066	-06	6
20.32	25.32	-3056	-05	5
15.24	20.24	-3046	-04	4
10.16	15.16	-3036	-03	3
5.08	10.08	10-01-3026	5197-02	2
B	A	EDP. NO.	ENG. NO.	極数 NO. OF CKTS.

PENDING APPROVAL

トレードマーク
TRADE MARK

キャビティマーク
CAVITY MARK



型番
ENG. NO.
サーキットNO.
CIRCUIT NO.

⌀ 0.5 X

角度 ANGLE	±3°
30以上 OVER	±0.3
10以上 OVER 30未満 UNDER	±0.25
10未満 UNDER	±0.2
一般公差 GENERAL TOLERANCES	

材料
MATERIAL
ナイロン66、UL94V-2
NYLON66、UL94V-2

仕上げ FINISH	— —
適用電線範囲 WIRE RANGE	— —
被覆外径 INS. RANGE	— —

THIS DRAWING CONTAINS INFORMATION THAT IS PROPRIETARY TO MOLEX ELECTRONIC TECHNOLOGIES, LLC AND SHOULD NOT BE USED WITHOUT WRITTEN PERMISSION	
DIMENSION UNITS mm	SCALE 4:1
GENERAL TOLERANCES (UNLESS SPECIFIED)	
4 PLACES ±	±
3 PLACES ±	±
2 PLACES ±	±
1 PLACE ±	±
0 PLACES ±	±
ANGULAR TOL ± °	± °
DRAFT WHERE APPLICABLE MUST REMAIN WITHIN DIMENSIONS	
THIRD ANGLE PROJECTION	DRAWING
SERIES 5197	DATE 2022/05/24

molex			
SPOX 5.08 REC HSG			
PRODUCT CUSTOMER DRAWING			
DOCUMENT NUMBER SD-5197-N	DOC TYPE PSD	DOC PART 020	REVISION G1
MATERIAL NUMBER SEE TABLE	CUSTOMER GENERAL MARKET	SHEET NUMBER 1 OF 1	

DOCUMENT STATUS	RQ	RELEASE DATE
-----------------	----	--------------