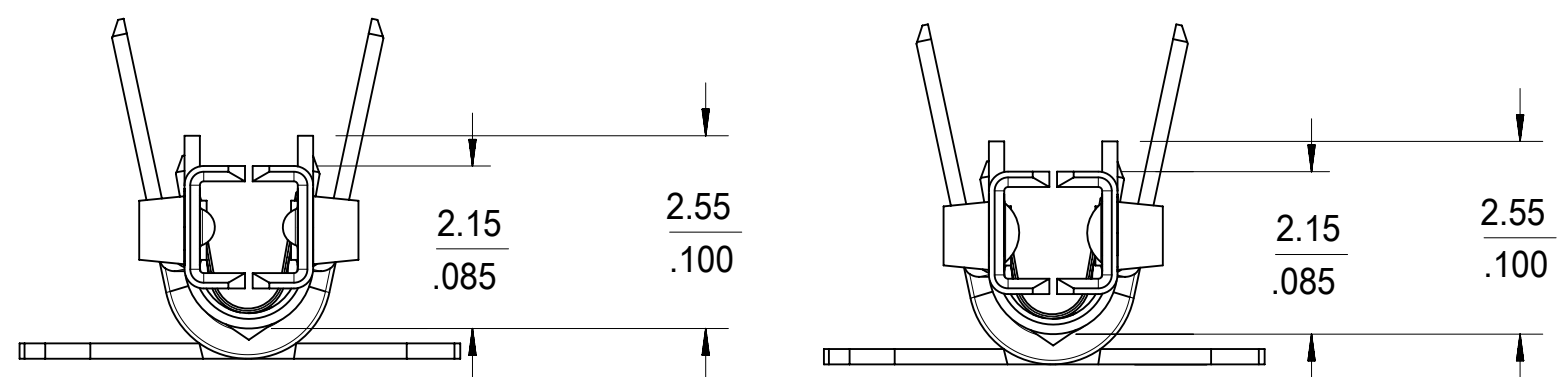
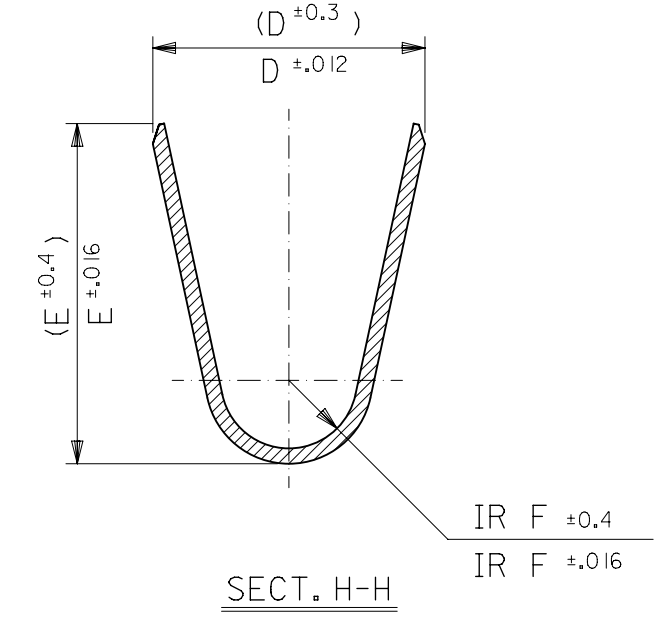
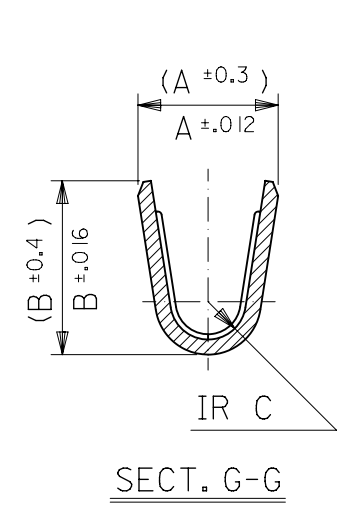
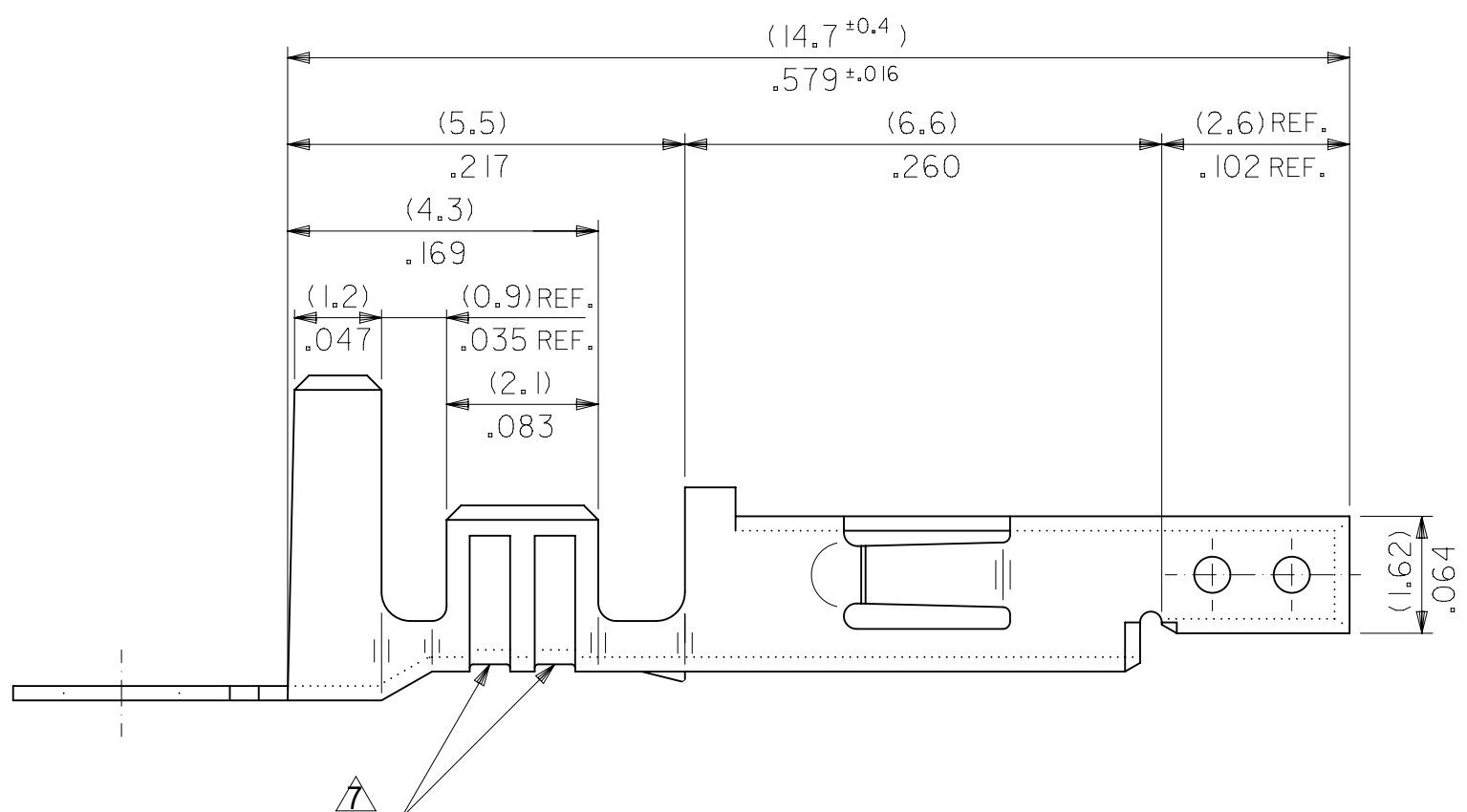


- NOTES
1. MATERIAL: SEE CHART.
  2. FINISH: SEE CHART.
  3. PRODUCT SPECIFICATION: PS-5556-001, PS-5556-002, PS-5556-003.
  4. PACKAGING SPECIFICATION: PK-5556-001 FOR CHAIN TERMINALS  
PK-5556-003 FOR LOOSE TERMINALS.
  5. MATES WITH: 5558, 5566, 5569, 30069, 30070, 42440, 42404, 43879, 43810, 44068.
  6. APPLICABLE HOUSING: 5557, 30067, 44516, OR 42474.
  7. THE NUMBER OF SERRATIONS TO BE ONE FOR WIRE RANGE #22-28.
  8. WHEN TERMINALS ARE INSTALLED IN THE HOUSING THE WIRES ARE TO BE DRESSED IN SUCH A MANNER TO ALLOW THE TERMINALS TO FLOAT FREELY IN THE POCKET.
  9. PART CONFORMS TO CLASS "B" REQUIREMENTS OF COSMETIC SPECIFICATION PS-45499-002.
  10. TEXT ON PART IS FOR REFERENCE ONLY. TEXT AND TEXT LOCATION MAY VARY DEPENDING ON PART NUMBER AND/OR TOOL.



CONTACT DIMPLE CONFIGURATIONS

#18-24 TERMINAL SHOWN

SYMBOLS	THIS DRAWING CONTAINS INFORMATION THAT IS PROPRIETARY TO MOLEX ELECTRONIC TECHNOLOGIES, LLC AND SHOULD NOT BE USED WITHOUT WRITTEN PERMISSION			
	DIMENSION UNITS	SCALE	CURRENT REV DESC:	
∇ = 0	IN/MM	10:1	<b>molex</b> MINI FIT JR OVERALL TIN FEMALE CRIMP TERMINAL PRODUCT CUSTOMER DRAWING	
∇ = 0	GENERAL TOLERANCES (UNLESS SPECIFIED)			
∇ = 0	MM	INCH		
S = 0	4 PLACES ±	±		
∇ = 0	3 PLACES ±	± 0.008	EC NO: 660823	
∇ = 0	2 PLACES ±	± 0.008	DRWN: HPAN18 2021/04/14	
∇ = 0	1 PLACE ±	± 0.2	CHK'D: YXZHENG 2021/04/14	
∇ = 0	0 PLACES ±	±	APPR: YXZHENG 2021/04/14	
∇ = 0	ANGULAR TOL ±	3.0 °	INITIAL REVISION:	
∇ = 0	DRAFT WHERE APPLICABLE MUST REMAIN WITHIN DIMENSIONS		DRWN: HIRAMOTO 1991/05/18	
	THIRD ANGLE PROJECTION	DRAWING	SERIES	
		C-SIZE	5556	
		SEE CHART	GENERAL MARKET	

DOCUMENT STATUS	P1	RELEASE DATE	2021/04/14 14:25:12
-----------------	----	--------------	---------------------

THIS DRAWING REPLACES DRAWING SD-5556\*\*\*\*

DOCUMENT NUMBER	DOC TYPE	DOC PART	REVISION
55560000-SD	PSD	000	A3
MATERIAL NUMBER	CUSTOMER	SHEET NUMBER	
SEE CHART	GENERAL MARKET	1 OF 2	

H  
G

REFLOWED MATTE TIN 0.00090/(.000035) MIN. (PREPLATE) (FINISH IS BRIGHT IN APPEARANCE, THICKNESS AS APPLIED PRIOR TO REFLOW)	PHOS BRONZE	(0.9) .035	(4.5) .177	(3.6) .142	(0.6) .024	(2.7) .106	(2.3) .091	∅ (3.1) .122 MAX.	16	N/A	39-00-0080	5556 PBT3L	LOOSE	
		(0.6) .024	(2.3) .091	(2.3) .091	(0.4) .016	(1.65) .065	(1.8) .071	∅ (0.9-1.8) .035-.071	22-28	20+22	-0079	PBT3	CHAIN	
		(0.9) .035	(4.5) .177	(3.6) .142	(0.5) .020	(2.3) .091	(1.9) .075	∅ (1.3-3.1) .051-.122	18-24	18+22	-0066	PBT2L	LOOSE	
		(0.6) .024	(2.3) .091	(2.3) .091	(0.4) .016	(1.65) .065	(1.8) .071	∅ (0.9-1.8) .035-.071	22-28	20+20	-0065	PBT2	CHAIN	
		(0.9) .035	(4.5) .177	(3.6) .142	(0.5) .020	(2.3) .091	(1.9) .075	∅ (1.3-3.1) .051-.122	18-24	N/A	-0060	PBTL	LOOSE	
		(0.6) .024	(2.3) .091	(2.3) .091	(0.4) .016	(1.65) .065	(1.8) .071	∅ (0.9-1.8) .035-.071	22-28	22+22	-0059	PBT	CHAIN	
REFLOWED MATTE TIN 0.00090/(.000035) MIN. OVER COPPER 0.00050/(.000020) MIN. (PREPLATE) (FINISH IS BRIGHT IN APPEARANCE, THICKNESS AS APPLIED PRIOR TO REFLOW)	BRASS	(0.9) .035	(4.5) .177	(3.6) .142	(0.6) .024	(2.7) .106	(2.3) .091	∅ (3.1) .122 MAX.	16	N/A	-0078	T3L	LOOSE	
		(0.6) .024	(2.3) .091	(2.3) .091	(0.4) .016	(1.65) .065	(1.8) .071	∅ (0.9-1.8) .035-.071	22-28	20+22	-0077	T3	CHAIN	
		(0.9) .035	(4.5) .177	(3.6) .142	(0.5) .020	(2.3) .091	(1.9) .075	∅ (1.3-3.1) .051-.122	18-24	18+22	-0047	T2L	LOOSE	
		(0.6) .024	(2.3) .091	(2.3) .091	(0.4) .016	(1.65) .065	(1.8) .071	∅ (0.9-1.8) .035-.071	22-28	20+20	-0046	T2	CHAIN	
		(0.9) .035	(4.5) .177	(3.6) .142	(0.5) .020	(2.3) .091	(1.9) .075	∅ (1.3-3.1) .051-.122	18-24	N/A	-0039	TL	LOOSE	
		(0.6) .024	(2.3) .091	(2.3) .091	(0.4) .016	(1.65) .065	(1.8) .071	∅ (0.9-1.8) .035-.071	22-28	22+22	39-00-0038	5556 T	CHAIN	
PLATING	MATERIAL	F	E	D	C	B	A	INS. RANGE	SINGLE WIRE	DOUBLE WIRE	EDP NO.	ENG. NO.	FORM	
									WIRE AWG RANGE					

C  
B  
A

FUNCTIONAL SYMBOLS										THIS DRAWING CONTAINS INFORMATION THAT IS PROPRIETARY TO MOLEX ELECTRONIC TECHNOLOGIES, LLC AND SHOULD NOT BE USED WITHOUT WRITTEN PERMISSION																													
DIMENSION UNITS					SCALE					CURRENT REV DESC:					<p>MINI FIT JR OVERALL TIN FEMALE CRIMP TERMINAL</p> <p>PRODUCT CUSTOMER DRAWING</p>																								
mm					1:1					EC NO: 660823																													
GENERAL TOLERANCES (UNLESS SPECIFIED)										DRWN: HPAN18																													
ANGULAR TOL ± 3.0°										CHK'D: YXZHENG																													
4 PLACES ±										APPR: YXZHENG																													
3 PLACES ±										INITIAL REVISION:																													
2 PLACES ± 0.2										DRWN: AZAHIROVIC																													
1 PLACE ± 0.2										APPR: FSMITH																													
0 PLACES ±										2018/05/30																													
DRAFT WHERE APPLICABLE MUST REMAIN WITHIN DIMENSIONS					THIRD ANGLE PROJECTION					DRAWING					SERIES																								
										C-SIZE					5556																								
RELEASE STATUS					P1					RELEASE DATE					2021/04/14 14:25:12																								
DOCUMENT NUMBER										DOC TYPE										DOC PART										REVISION									
55560000-SD										PSD										000										A3									
MATERIAL NUMBER										CUSTOMER										SHEET NUMBER																			
										GENERAL MARKET										2 OF 2																			

12 11 10 9 8 7 6 5 4 3 2 1