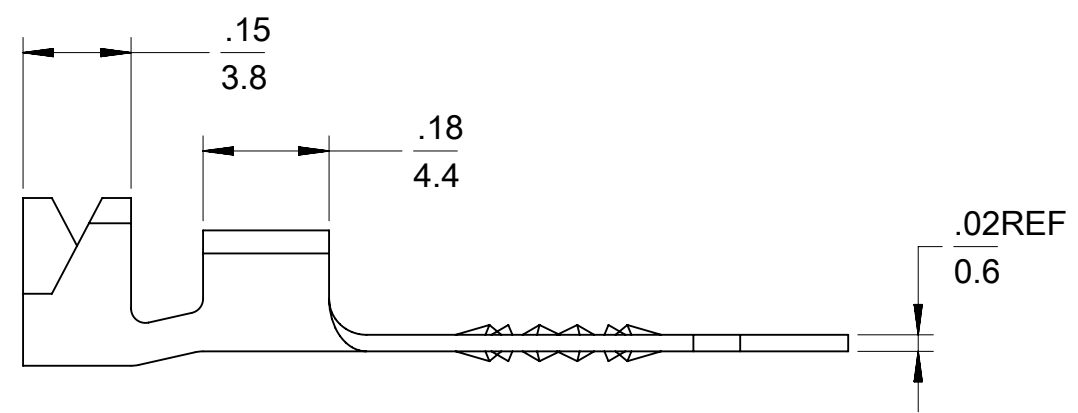
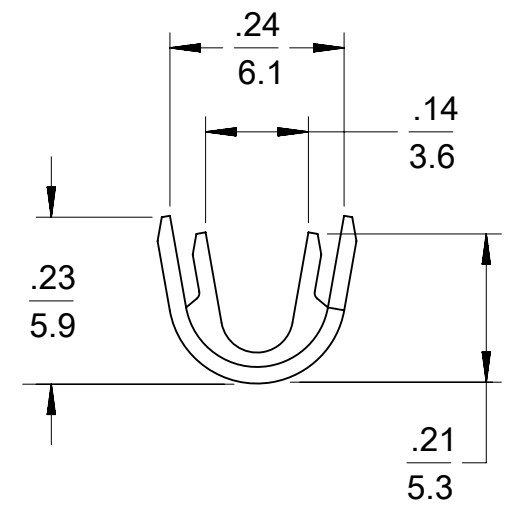
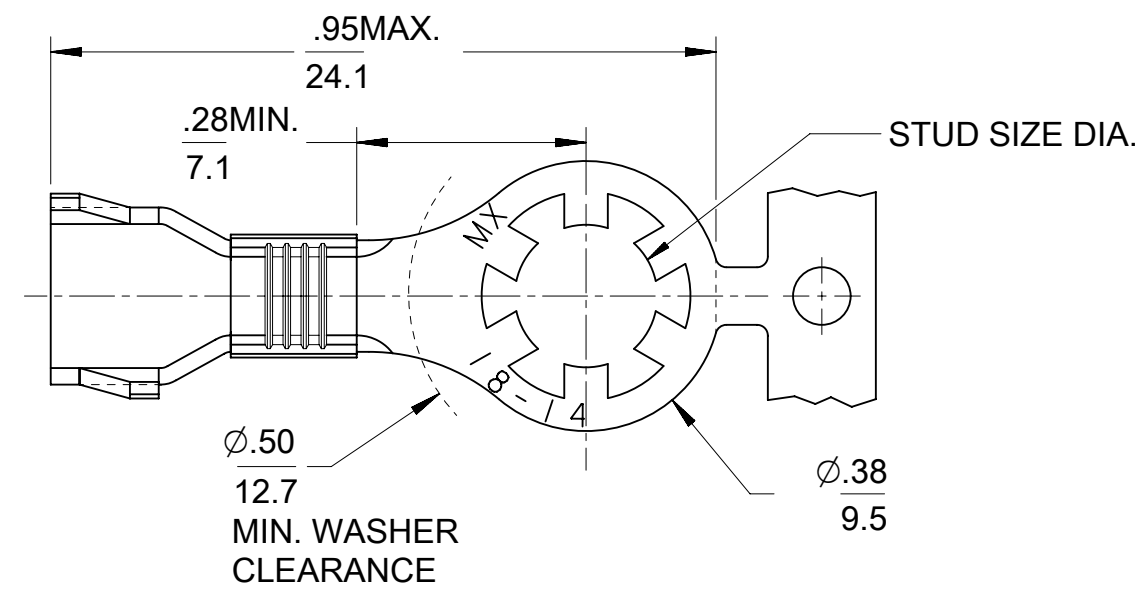


MATERIAL NO.	ENG. NO.	STUD SIZE	"S"±.003	MATERIAL	PLATING
190840004	SRZ-4129-06	6	.146/3.71	BRASS	ELECTRO-TIN
190840005	SRZ-4129-08	8	.173/4.39		
190840006	SRZ-4129-10	10	.198/5.03		
190840007	SRZ-S-4129-06	6	.146/3.71	STEEL	
190840008	SRZ-S-4129-08	8	.173/4.39		
190840009	SRZ-S-4129-10	10	.198/5.03		

Ⓢ



NOTE(S):
 1. WIRE: SIZE: 18-14 AWG
 0.7 - 2.6 MM²
 2. PARTS ARE RoHS COMPLAINT.

THIS DRAWING CONTAINS INFORMATION THAT IS PROPRIETARY TO MOLEX ELECTRONIC TECHNOLOGIES, LLC AND SHOULD NOT BE USED WITHOUT WRITTEN PERMISSION

DIMENSION UNITS	SCALE	CURRENT REV DESC: PLATING - TIN WAS NONE		molex		
INCH/MM	NTS					
GENERAL TOLERANCES (UNLESS SPECIFIED)				OPEN BARREL STRIP STAR RING, VIBRAKRIMP 18-14 AWG		
		MM	INCH	PRODUCT CUSTOMER DRAWING		
4 PLACES	±			DOCUMENT NUMBER		
3 PLACES	±		± 0.005	SD-19084-001		
2 PLACES	±	0.13	± 0.01	DOC TYPE	DOC PART	REVISION
1 PLACE	±	0.25		PSD	001	C1
0 PLACES	±			SHEET NUMBER		
ANGULAR TOL	±	0.5°		MATERIAL NUMBER	CUSTOMER	
DRAFT WHERE APPLICABLE MUST REMAIN WITHIN DIMENSIONS		THIRD ANGLE PROJECTION	DRAWING	SERIES	SEE TABLE	GENERAL MARKET
			B-SIZE	19084	1 OF 1	